

PIRHL Verona

Verona, New Jersey

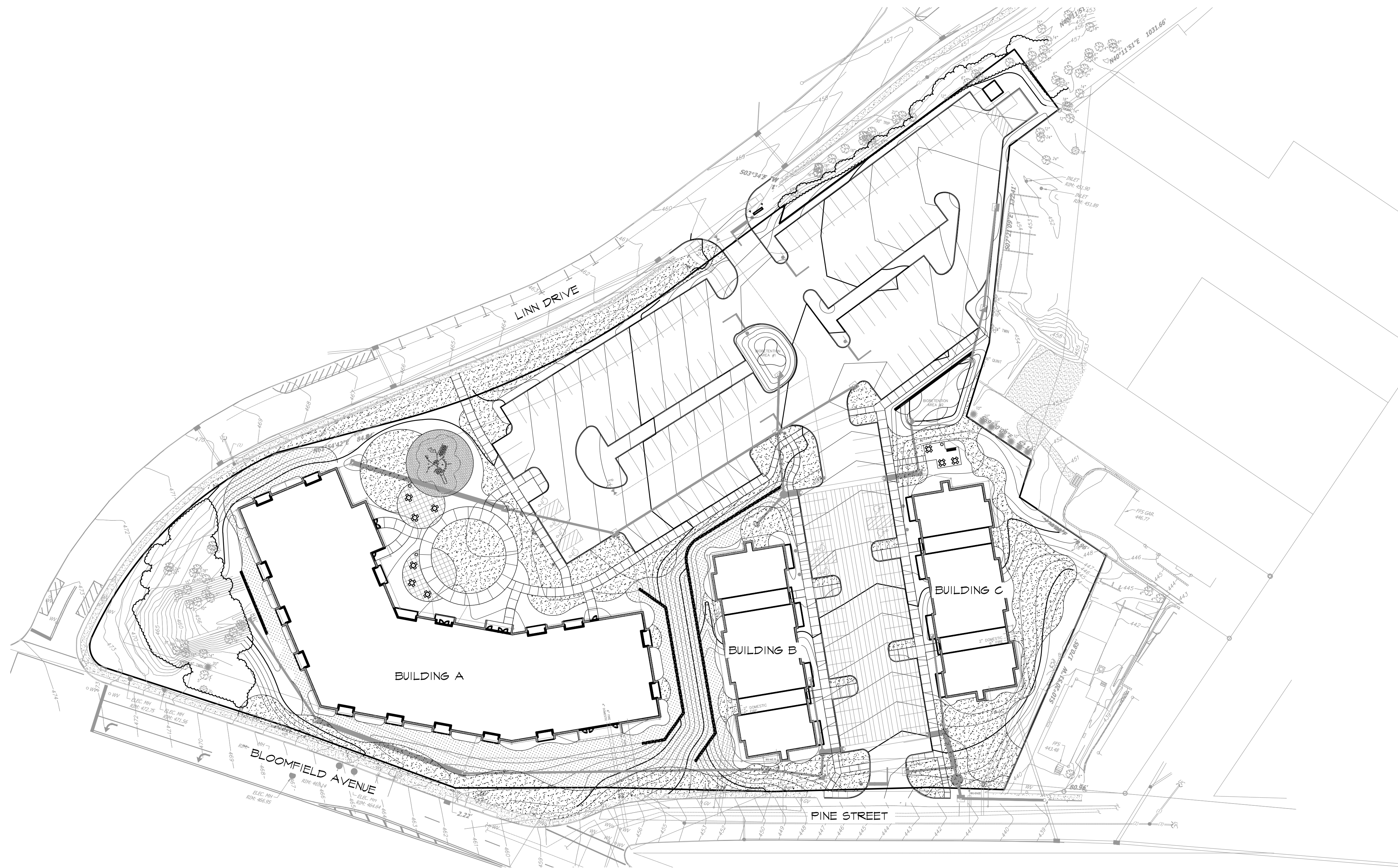
LANDSCAPE PLANS



LANDSCAPE ARCHITECT
 MELILLO AND BAUER ASSOCIATES
 200 Union Ave.
 Brielle, New Jersey 08730
 PHONE (732) 528-0664
 FAX (732) 528-1077

ARCHITECT
 Wallace Roberts & Todd, LLC.
 1700 Market Street.
 Suite 2800
 Philadelphia, PA 19103
 PHONE: 215-732-5215

ENGINEER
 ESE Consultants, INC.
 100 Willow Brook Rd.
 SUITE 200
 Freehold, NJ 07728
 PHONE: 732-272-0534

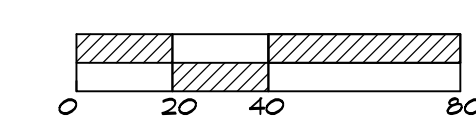


SUBMISSION PLANS
 July 15, 2020

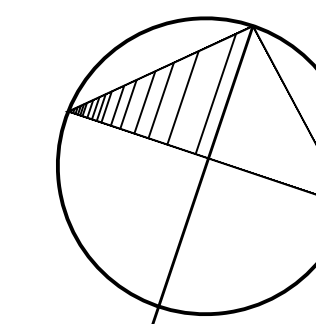
| Project: PIRHL Verona (20-107) | | | |
|--------------------------------|------------------|------------|------------------|
| DRAWING LIST | | DATE | STATUS |
| | Cover Sheet | | |
| L-1 | Planting Plan | 07/15/2020 | Submission Plans |
| L-2 | Planting Details | 07/15/2020 | Submission Plans |
| L-3 | Site Details | 07/15/2020 | Submission Plans |

GENERAL NOTES:

1. THE CONTRACTOR SHALL GIVE ALL NOTICES AND COMPLY WITH ALL LAWS, ORDINANCES, RULES, REGULATIONS, AND LAWFUL ORDERS OF ANY PUBLIC AUTHORITY BEARING ON THE PERFORMANCE OF THE WORK.
2. ALL ARCHITECTURAL INFORMATION WAS PROVIDED BY WALLACE ROBERTS & TODD, LLC.
3. ALL BASE INFORMATION AND UTILITY LAYOUT WAS PROVIDED BY ESE CONSULTANTS, INC.
4. ALL GRADING SHALL BE VERIFIED IN THE FIELD BEFORE CONSTRUCTION AND SHALL BE COORDINATED WITH THE LANDSCAPE ARCHITECT AND CIVIL ENGINEERING.
5. ALL PAVING SURFACES SHALL BE FLUSH AND MEET SMOOTHLY AND EVENLY. NO WALKS SHALL EXCEED 1% OR A 2% CROSS-SLOPE. ALL WALKS TO BE LAID OUT IN THE FIELD UNDER THE DIRECTION OF THE LANDSCAPE ARCHITECT.
6. ALL SITE DETAILS SHALL BE REVIEWED AND SUPPLEMENTS BY A PROFESSIONAL LICENSED STRUCTURAL ENGINEER WHO SHALL SPECIFY ALL STRUCTURAL DATE, FOOTINGS, REINFORCEMENT, HARDWARE, ETC. REQUIRED FOR STRUCTURAL INTEGRITY, SAFETY, AND COMPLIANCE WITH LOCAL CODES AND CONDITIONS PRIOR TO CONSTRUCTION.
7. ALL PLANT MATERIAL/LANDSCAPE MATERIALS SUBSTITUTIONS SHALL BE APPROVED BY THE L.A.



SCALE: 1"=40'



PLANT SCHEDULE

| QTY | BOTANICAL / COMMON NAME | CAL | HT. | CONT. | COMMENTS |
|------|---|--------------|---------|----------|---|
| 2 | Aesculus x carnea 'O'Neill' / O'Neill Red Horsechestnut | 2.5'-3' cal. | 12'-14' | B&B | Full Specimens, Heeded to 7' |
| 34 | Acer rubrum 'Red Sunset' / Red Sunset Maple | 3.3'-3' cal. | 14'-16' | B&B | Full Specimens, Heeded to 7' |
| GT2 | Gleditsia triacanthos inermis 'Halka' / Halka Thornless Honey Locust | 2.5'-3' cal. | 12'-14' | B&B | Full Specimens, Heeded to 7' |
| GT3 | Gleditsia triacanthos inermis 'Halka' / Halka Thornless Honey Locust | 3.3'-3' cal. | 14'-16' | B&B | Full Specimens, Heeded to 7' |
| PAB2 | Platanus x acerifolia 'Bloodgood' / London Plane Tree | 2.5'-3' cal. | 13'-15' | B&B | Full Specimens, Heeded to 7' |
| PAB3 | Platanus x acerifolia 'Bloodgood' / London Plane Tree | 3.3'-3' cal. | 14'-16' | B&B | Full Specimens, Heeded to 7' |
| OP2 | Quercus palustris / Pin Oak | 2.5'-3' cal. | 14'-16' | B&B | Full Specimens, Heeded to 7' |
| QR3 | Quercus rubra / Red Oak | 3.3'-3' cal. | 14'-16' | B&B | Full Specimens, Heeded to 7' |
| ZSG3 | Zelkova serrata 'Green Vase' / Sawleaf Zelkova | 3.3'-3' cal. | 14'-16' | B&B | Full Specimens, Heeded to 7' |
| QTY | BOTANICAL / COMMON NAME | CAL | HT. | CONT. | COMMENTS |
| 5 | Cupressocyparis leylandii / Leyland Cypress | - | 8'-10' | B&B | Full, uniform specimens, branched to the ground |
| CL2 | Cupressocyparis leylandii / Leyland Cypress | - | 10'-12' | B&B | Full, uniform specimens, branched to the ground |
| PE2 | Picea abies / Norway Spruce | - | 8'-10' | B&B | Full, uniform specimens, branched to the ground |
| PE3 | Picea abies / Norway Spruce | - | 10'-12' | B&B | Full, uniform specimens, branched to the ground |
| PM2 | Pseudotsuga menziesii / Douglas Fir | - | 8'-10' | B&B | Full, uniform specimens, branched to the ground |
| PM3 | Pseudotsuga menziesii / Douglas Fir | - | 10'-12' | B&B | Full, uniform specimens, branched to the ground |
| PS2 | Pinus strobus / White Pine | - | 8'-10' | B&B | Full, uniform specimens, branched to the ground |
| PS3 | Pinus strobus / White Pine | - | 10'-12' | B&B | Full, uniform specimens, branched to the ground |
| TI | Thuja x 'Green Giant' / Green Giant Arborvitae | - | 8'-10' | B&B | Full, uniform specimens, branched to the ground |
| QTY | BOTANICAL / COMMON NAME | CAL | HT. | CONT. | COMMENTS |
| 6 | Amelanchier canadensis / Downy Shadblow | - | 8'-10' | B&B | Heavy, multi-stemmed specimens |
| CXR | Cornus x 'Rutcan' / Constellation Flowering Dogwood | 2.2'-5' cal. | 8'-10' | B&B | Full Specimens, single stem |
| MST | Magnolia stellata / Star Magnolia | 2.5'-3' cal. | 8'-10' | B&B | Full, Heavy Specimens |
| 5 | Prunus sargentii / Sargent Cherry | 10'-12' | - | B&B | Full Specimens, single stem |
| QTY | BOTANICAL / COMMON NAME | CAL | HT. | CONT. | COMMENTS |
| 27 | Aronia arbutifolia / Red Chokeberry | - | 2.5'-3' | #5 cont. | Full Plants, 3' O.C. |
| AGL | Abelia x grandiflora 'Little Richard' / Little Richard Abelia | - | 2'-2.5' | #5 cont. | Full Plants, 2' O.C. |
| CAR | Clethra alnifolia 'Roses' / Pink Summersweet | - | 2'-2.5' | #5 cont. | Full Plants, 3' O.C. |
| EK | Eunymus kiautschovicus 'Manhattan' / Manhattan Eunymus | - | 2.5'-3' | #7 cont. | Full Plants, 3' O.C. |
| HE | Hydrangea macrophylla 'Bainier' TM / Endless Summer Hydrangea | - | 2'-2.5' | #5 cont. | Full Plants, 3' O.C. |
| HPH | Hypericum patulum 'Hidcote' / St. John's Wort | - | 18"-24" | #5 Can | Full Plants, 2.5' O.C. |
| I | Hydrangea quercifolia 'Pee Wee' / Pee Wee Oakleaf Hydrangea | - | 2'-2.5' | #5 cont. | Full Plants, 3' O.C. |
| IGS | Ilex glabra 'Shamrock' / Shamrock Inkberry | - | 2'-2.5' | #5 Can | Full Plants, 2' O.C. |
| IP | Ilex x meserveae 'Blue Prince/Blue Princess' TM / Blue Prince/Blue Princess Holly | - | 2.5'-3' | #5 Can | Full Plants, 3' O.C. |
| IR | Ilex verticillata 'Red Sprite' / Jim Dandy / Red Sprite/Jim Dandy Winterberry | - | 2.5'-3' | #5 Can | Full Plants, 3' O.C. |
| ITH | Itea virginica 'Henry's Garnet' / Henry's Garnet Sweetpire | - | 2'-2.5' | #5 cont. | Full Plants, 2.5' O.C. |
| PLO | Prunus laurocerasus 'Otto Luyken' / Luykens Laurel | - | 2'-2.5' | B&B | Full Plants, 3' O.C. |
| RPJ | Rhododendron x 'FJM' / FJM Rhododendron | - | 2.5'-3' | #5 cont. | Full Plants, 18" O.C. |
| RXR | Rosa x 'Redrazz' / Knock Out Shrub Rose | - | 2.5'-3' | #7 Can | Full Plants, 2.5' O.C. |
| VPT | Viburnum plicatum tomentosum 'Mariesii' / Mariesii Double File Viburnum | - | 2.5'-3' | #7 Can | Full Plants, 2.5' O.C. |
| QTY | BOTANICAL / COMMON NAME | CAL | HT. | CONT. | COMMENTS |
| 19 | Calamagrostis x acutiflora 'Karl Foerster' / K.F. Feather Reed Grass | - | - | 2 Gal. | Full Plants, 2' O.C. |
| CP | Carex pensylvanica / Pennsylvania Sedge | - | - | 1 Gal. | Full Plants, 18" O.C. |
| EPM | Echinacea purpurea 'Magnus' / Magnus Purple Coneflower | - | - | 2 Gal. | Full Plants, 18" O.C. |
| HSD | Hemerocallis x 'Stella de Oro' / Stella de Oro Daylily | - | - | 2 Gal. | Full Plants, 18" O.C. |
| LMB | Liriodendron muscari 'Big Blue' / Big Blue Liriodendron | - | - | 1 Gal. | Full Plants, 12" O.C. |
| PVS | Panicum virgatum 'Shenandoah' / Switch Grass | - | - | 2 Gal. | Full Plants, 2' O.C. |
| RAG | Rhus aromatica 'Gro-Low' / Gro-Low Fragrant Sumac | - | 18"-24" | #5 can | Full Plants, 2' O.C. |

GENERAL NOTES:

- THE CONTRACTOR SHALL GIVE ALL NOTICES AND COMPLY WITH ALL LAWS, ORDINANCES, RULES, REGULATIONS, AND LAWFUL ORDERS OF ANY PUBLIC AUTHORITY BEARING ON THE PERFORMANCE OF THE WORK.
- ALL ARCHITECTURAL INFORMATION WAS PROVIDED BY WALLACE ROBERTS & TODD, LLC.
- ALL BASE INFORMATION AND UTILITY LAYOUT WAS PROVIDED BY ESE CONSULTANTS, INC.
- ALL GRADING SHALL BE VERIFIED IN THE FIELD BEFORE CONSTRUCTION AND SHALL BE COORDINATED WITH THE LANDSCAPE ARCHITECT AND CIVIL ENGINEERING.
- ALL PAVING SURFACES SHALL BE FLUSH AND MEET SMOOTHLY AND EVENLY. NO WALKS SHALL EXCEED 2% OR A 2% CROSS-FITCH. ALL WALKS TO BE LAID OUT IN THE FIELD UNDER THE DIRECTION OF THE LANDSCAPE ARCHITECT.
- ALL SITE DETAILS SHALL BE REVIEWED AND SUPPLEMENTS BY A PROFESSIONAL LICENSED STRUCTURAL ENGINEER WHO SHALL SPECIFY ALL STRUCTURAL DATE, FOOTINGS, REINFORCEMENT, HARDWARE, ETC. REQUIRED FOR STRUCTURAL INTEGRITY, SAFETY, AND COMPLIANCE WITH LOCAL CODES AND CONDITIONS PRIOR TO CONSTRUCTION.
- ALL PLANT MATERIALS/LANDSCAPE MATERIALS SUBSTITUTIONS SHALL BE APPROVED BY THE L.A.



NOTE:
SEE L-2 FOR SITE
DETAILS AND L-3 FOR
PLANTING DETAILS

Landscape Plan

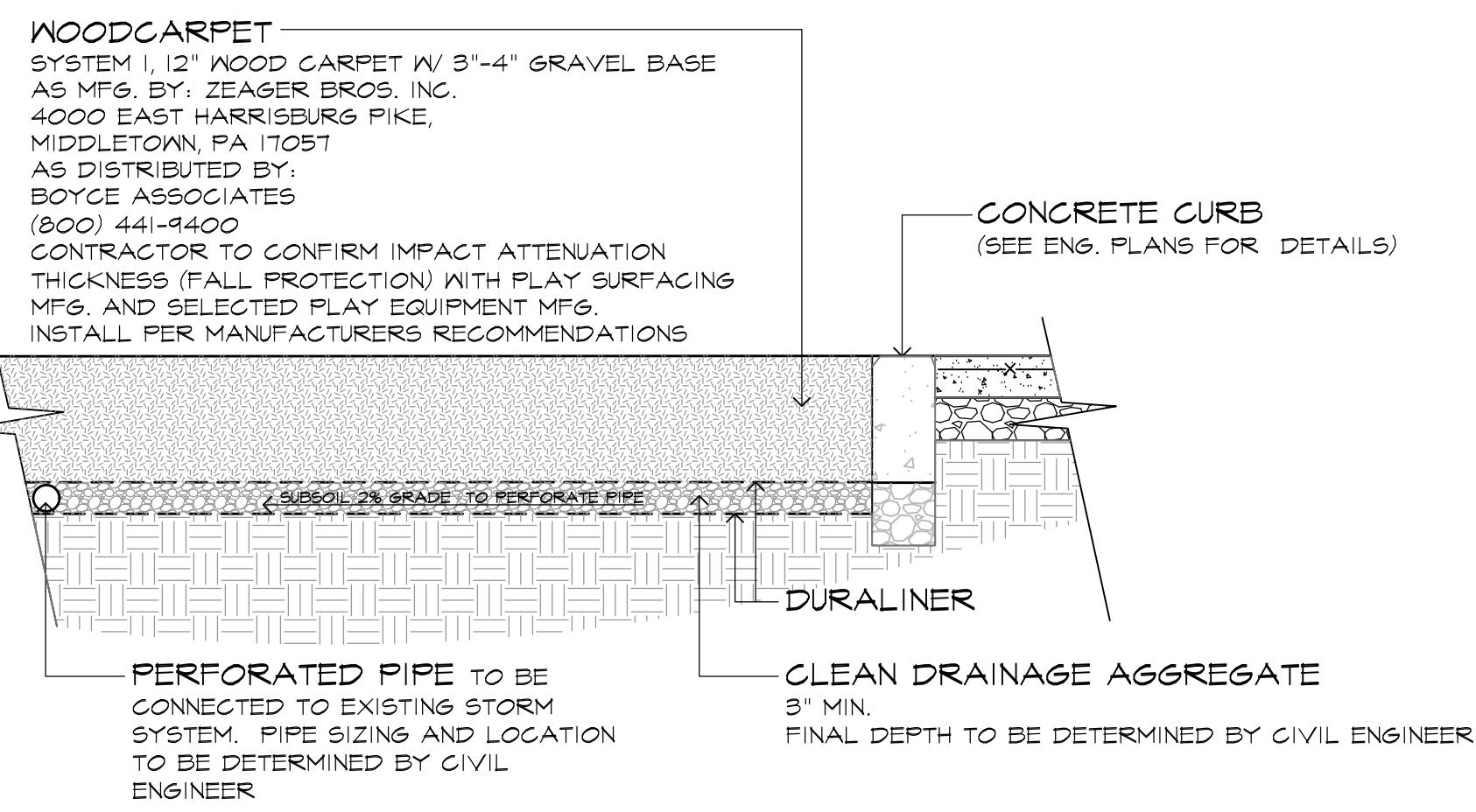
PIRHL Verona
Verona, New Jersey

MELILLO+BAUER
ASSOCIATES
Landscape Architecture
200 Union Avenue
Bridle, New Jersey 08730
1 732.528.0644
F 732.528.1077

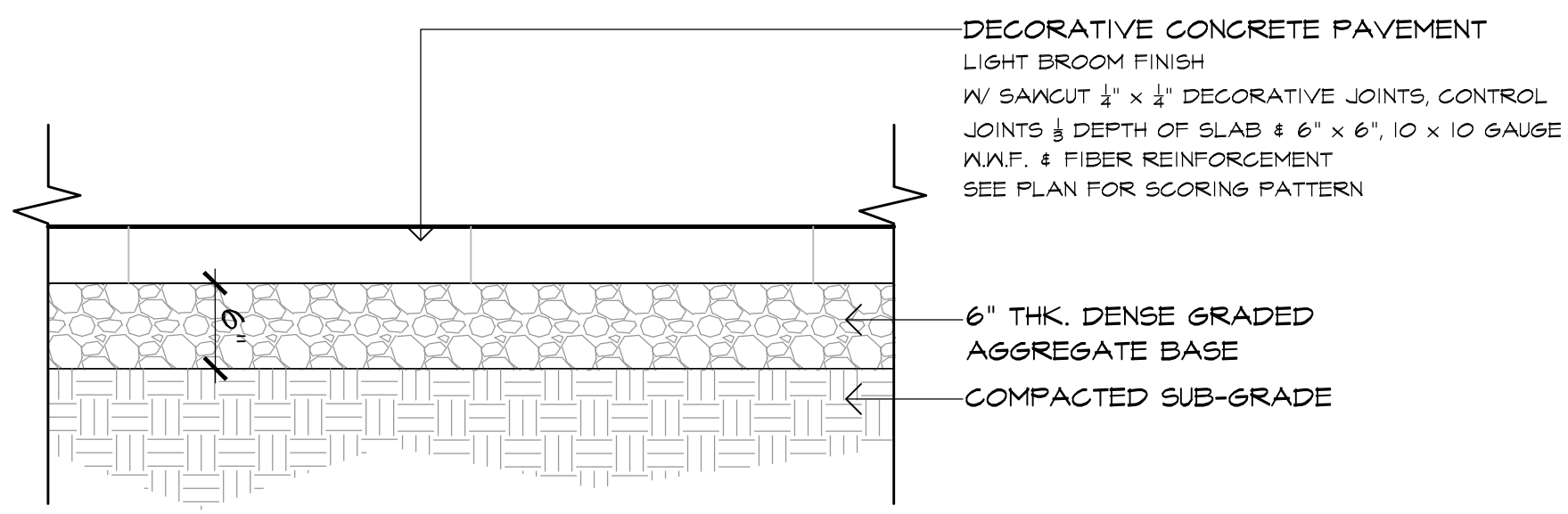
LYNN A. YAHIA
Lynn A. Yahia
N.J. LICENSED
LANDSCAPE ARCHITECT
#21A50059100

| | | |
|-------|-----------|----------------|
| NO. | DATE | REVISION |
| SCALE | 1"=20' | |
| DATE | 7/15/2020 | JOB NO. 20-107 |

DRAWING NO.
L-1



1 L-2 DETAIL: PLAY SURFACE SCALE: 3/4" = 1'-0"

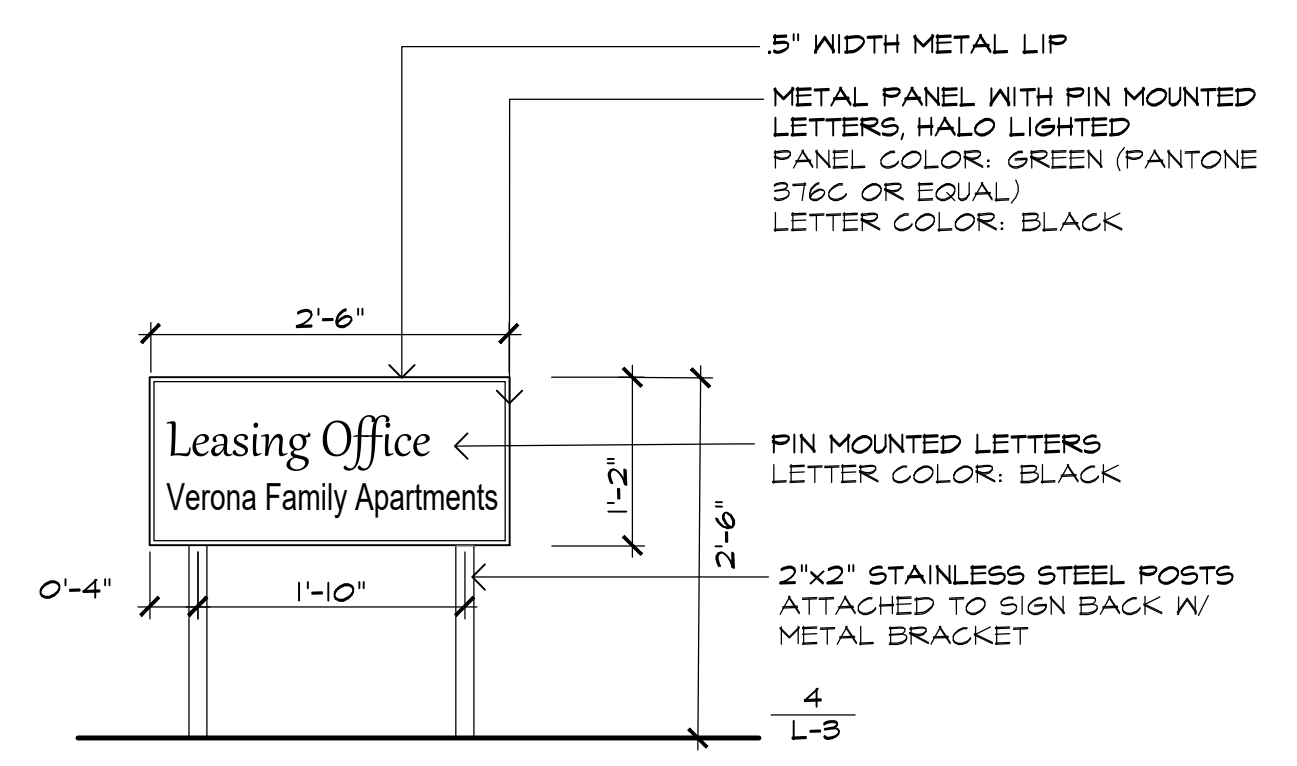


2 L-2 DETAIL: CONCRETE PAVEMENT SCALE: 1" = 1'-0"



SCHENLEY TABLE SET
 4 SEATS, IV BACK
 AS MFG. BY
 KEYSTONE RIDGE DESIGNS, INC.
 670 MERCER ROAD
 BUTLER, PA 16001
 P: 724-284-2125
 WWW.KEYSTONERIDGEDESIGNS.COM
 1. INSTALL AS PER MFG. RECOMMENDATIONS.
 2. COLOR AND FINISH TO BE SELECTED BY
 LANDSCAPE ARCHITECT
 3. SHOP DRAWINGS SHALL BE SUBMITTED FOR
 APPROVAL PRIOR TO FABRICATION.
 OR APPROVED EQUAL

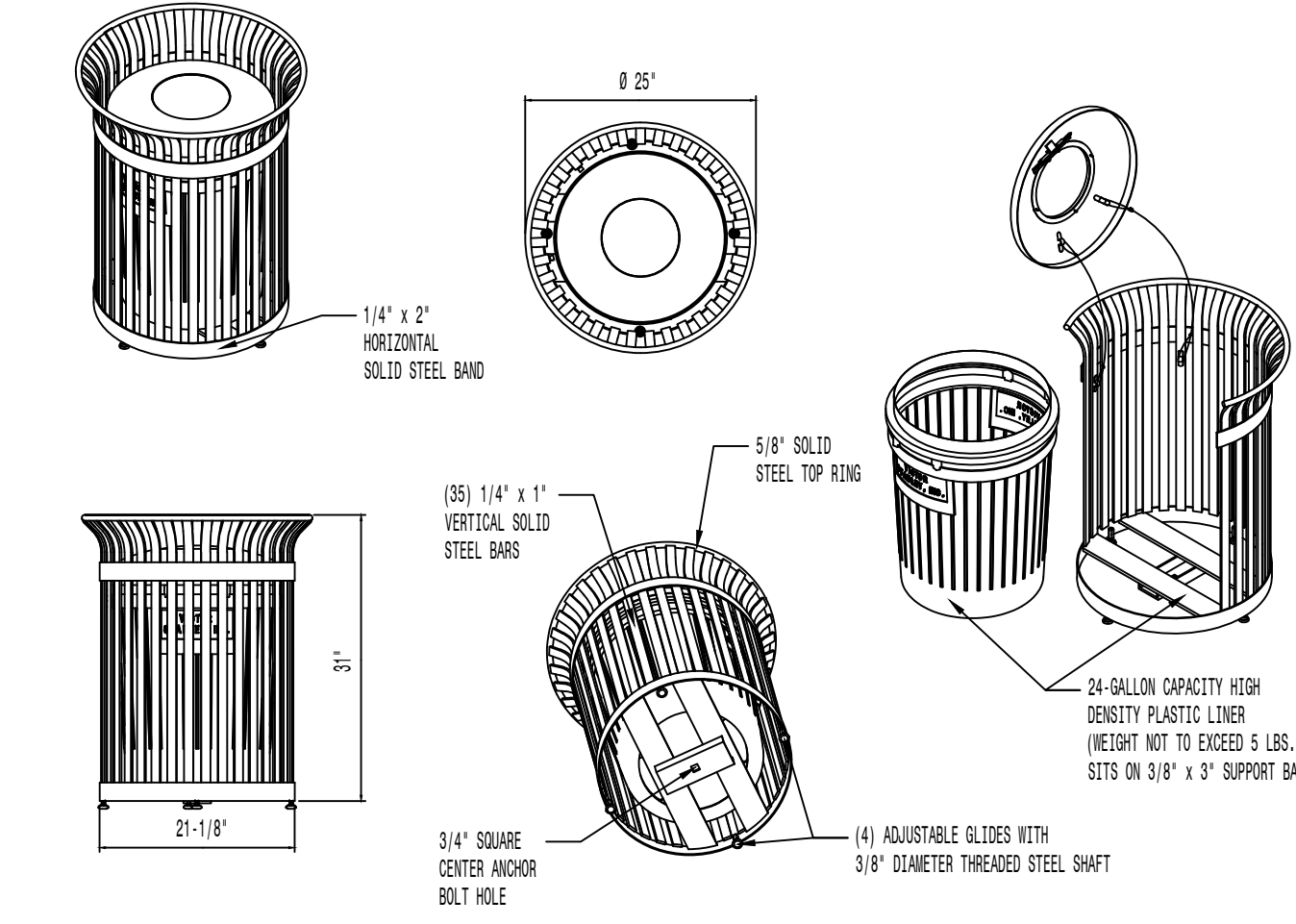
3 L-2 DETAIL: TABLE & CHAIR NOT TO SCALE



4 L-2 LEASING OFFICE SIGN SCALE: 3/4" = 1'-0"

VICTOR STANLEY, INC.
 Manufacturers of Quality Site Furnishings since 1962.

P.O. DRAWER 300 - DUNKIRK, MD 20754 USA
 TOLL FREE: (800) 388-2373 (USA & CANADA)
 TEL: (301) 855-8300 - FAX: (410) 257-7579
 WEB SITE: HTTP://WWW.VICTORSTANLEY.COM



AVAILABLE OPTIONS:
 POWDER COATING
 11 STANDARD COLORS, CUSTOM COLORS (INCLUDING THE RAL RANGE),
 CUSTOM PLANKS & DECALS
 AVAILABLE WITH STEEL PLANKS IN VARIOUS SIZES AND PRESSURE SENSITIVE
 VINYL OUTDOOR DECALS.

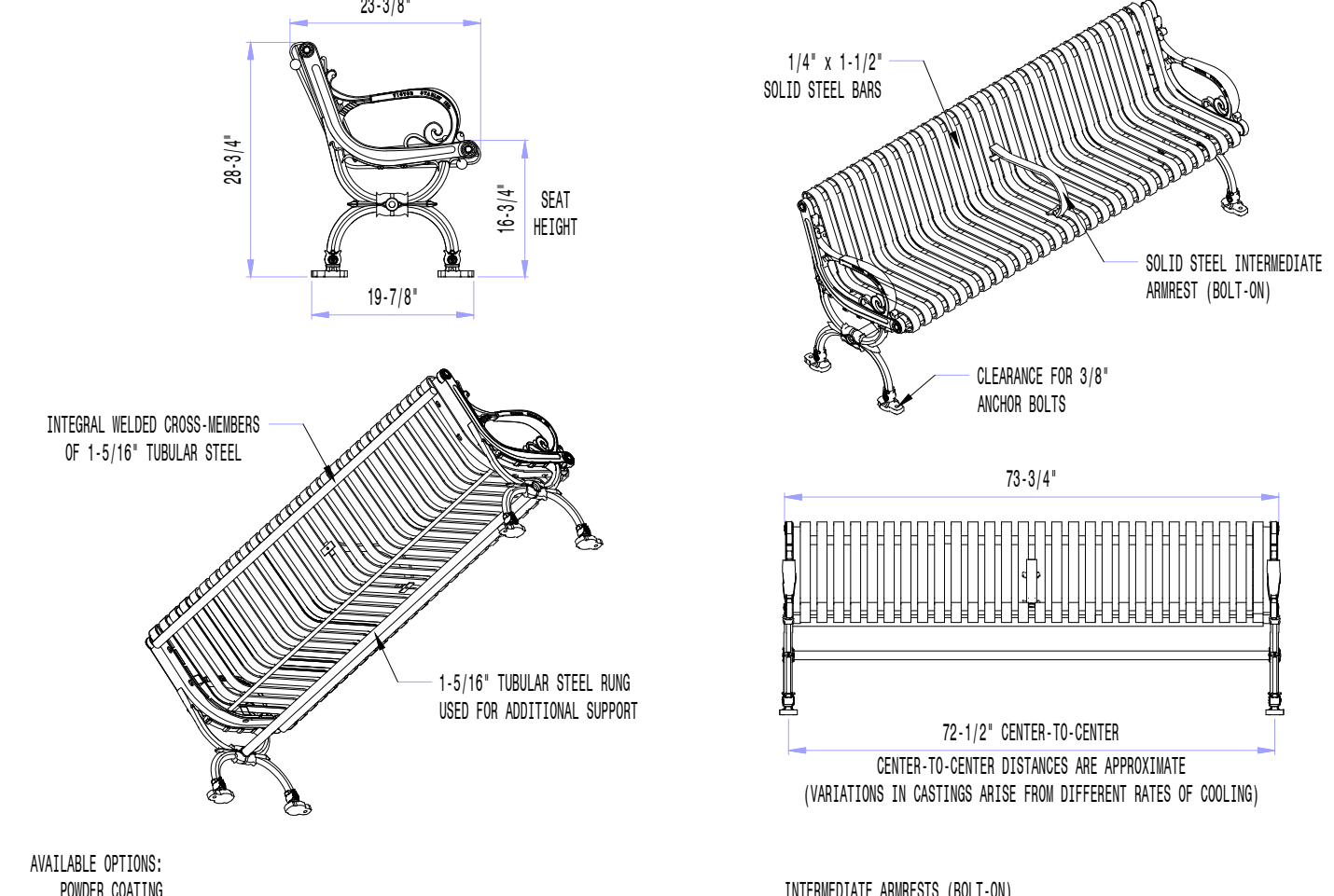
SECURITY
 LID IS SECURED WITH VINYL COATED GALVANIZED STEEL AIRCRAFT CABLE.
 CABLE IS LOOPED AROUND WELDED IN PLACE ATTACHMENT BRACKETS AND
 CLAMPED IN PLACE.

NOTES:
 1. DIMENSIONS NOT TO SCALE. DO NOT SCALE DRAWINGS.
 2. ALL FABRICATED METAL COMPONENTS ARE STEEL (UNPAINTED, ETCHED, PHOSPHATIZED, PREHEATED, AND ELECTROSTATICALLY POWDER COATED WITH 1.6 L.I.C. POLYESTER POWDER
 COATINGS. PRODUCTS ARE FULLY CLEANED AND PREHEATED, PREHEATED AND COATED WELLS NOT TO FILL CRACKS AND BULLY FILM COATING. COATED PARTS ARE THEN FULLY CURED
 TO OBTAIN UNMATCHED 8\"/>

5 L-2 DETAIL: TRASH RECEPTACLE SCALE: NTS

VICTOR STANLEY, INC.
 Manufacturers of Quality Site Furnishings since 1962.

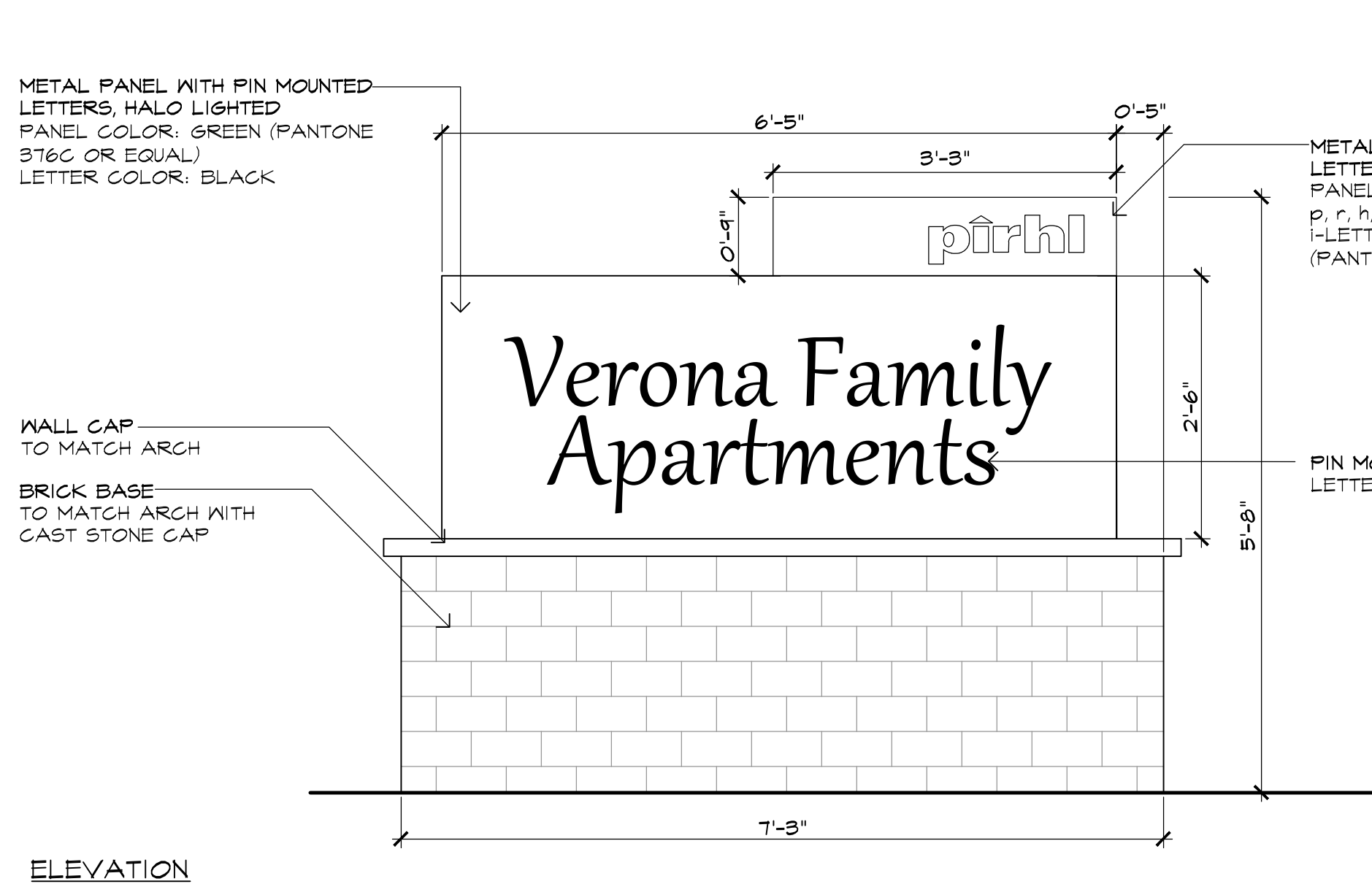
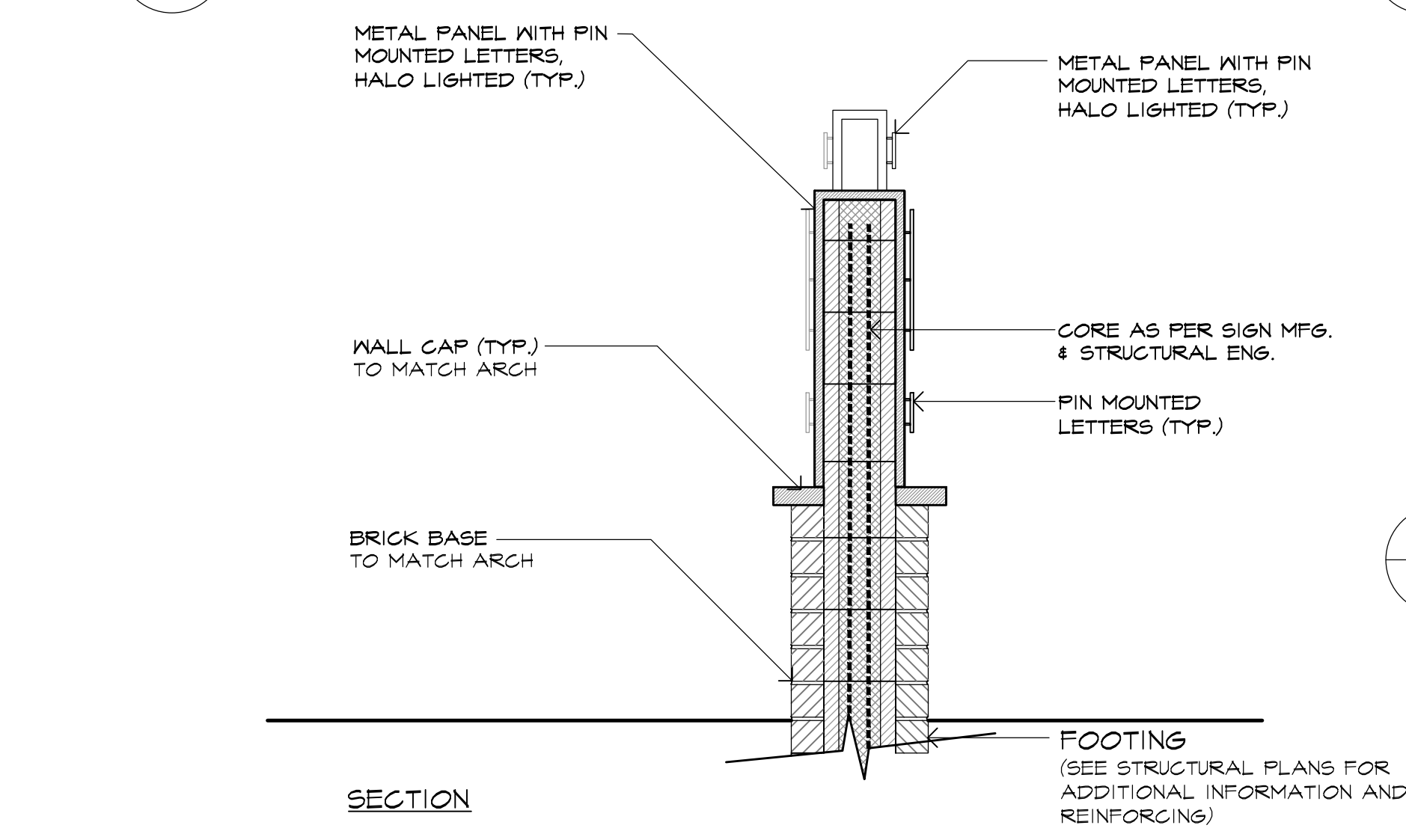
P.O. DRAWER 300 - DUNKIRK, MD 20754 USA
 TOLL FREE: (800) 388-2373 (USA & CANADA)
 TEL: (301) 855-8300 - FAX: (410) 257-7579
 WEB SITE: HTTP://WWW.VICTORSTANLEY.COM



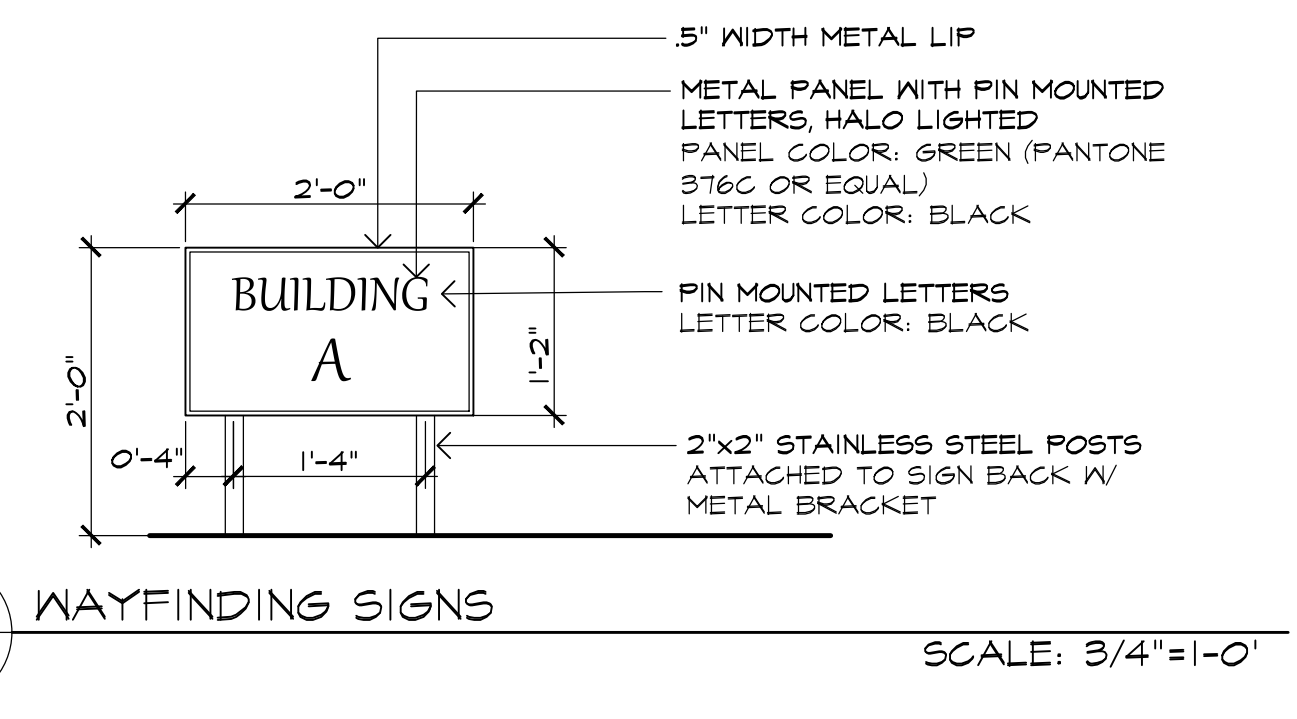
AVAILABLE OPTIONS:
 POWDER COATING
 10 STANDARD COLORS, 2 OPTIONAL METALLIC COLORS,
 CUSTOM COLORS (INCLUDING THE RAL RANGE)
 CUSTOM PLANKS
 ENGRAVED CAST BRONZE PLANKS

NOTES:
 1. DUCTILE IRON CASTINGS COME WITH A TEN YEAR WARRANTY AGAINST BRAKING.
 2. DIMENSIONS NOT TO SCALE. DO NOT SCALE DRAWINGS.
 3. ALL FABRICATED METAL COMPONENTS ARE STEEL (UNPAINTED, ETCHED, PHOSPHATIZED, PREHEATED, AND ELECTROSTATICALLY POWDER COATED WITH 1.6 L.I.C. POLYESTER POWDER
 COATINGS. PRODUCTS ARE FULLY CLEANED AND PREHEATED, PREHEATED AND COATED WELLS NOT TO FILL CRACKS AND BULLY FILM COATING. COATED PARTS ARE THEN FULLY CURED
 TO OBTAIN UNMATCHED 8\"/>

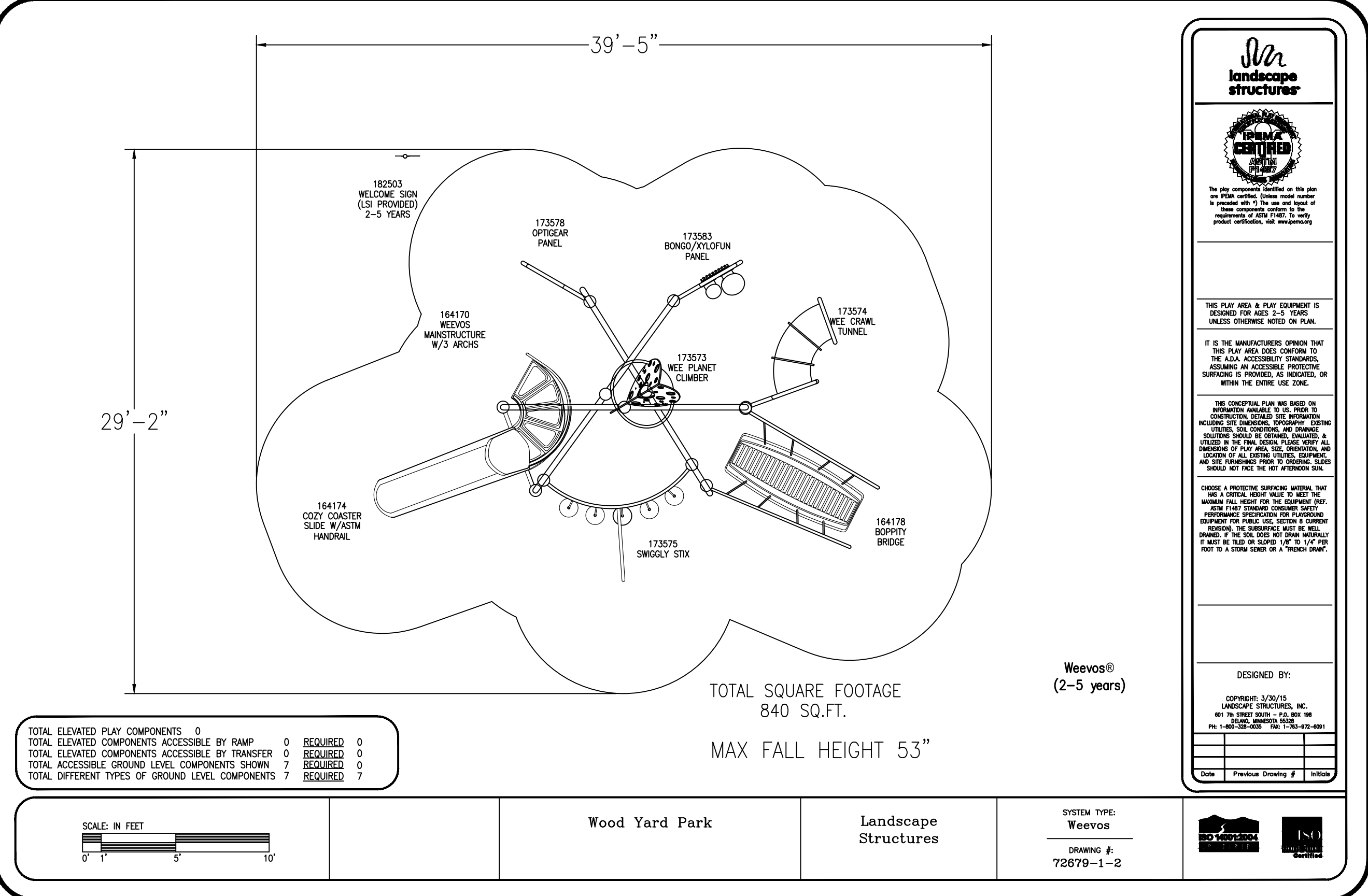
6 L-2 DETAIL: BENCH SCALE: NTS



7 L-2 DETAIL: PROJECT ENTRY SIGN SCALE: 3/4" = 1'-0"



8 L-2 WAYFINDING SIGNS SCALE: 3/4" = 1'-0"



9 L-2 DETAIL: PLAY EQUIPMENT SCALE: 3/16" = 1'-0"

Site Details

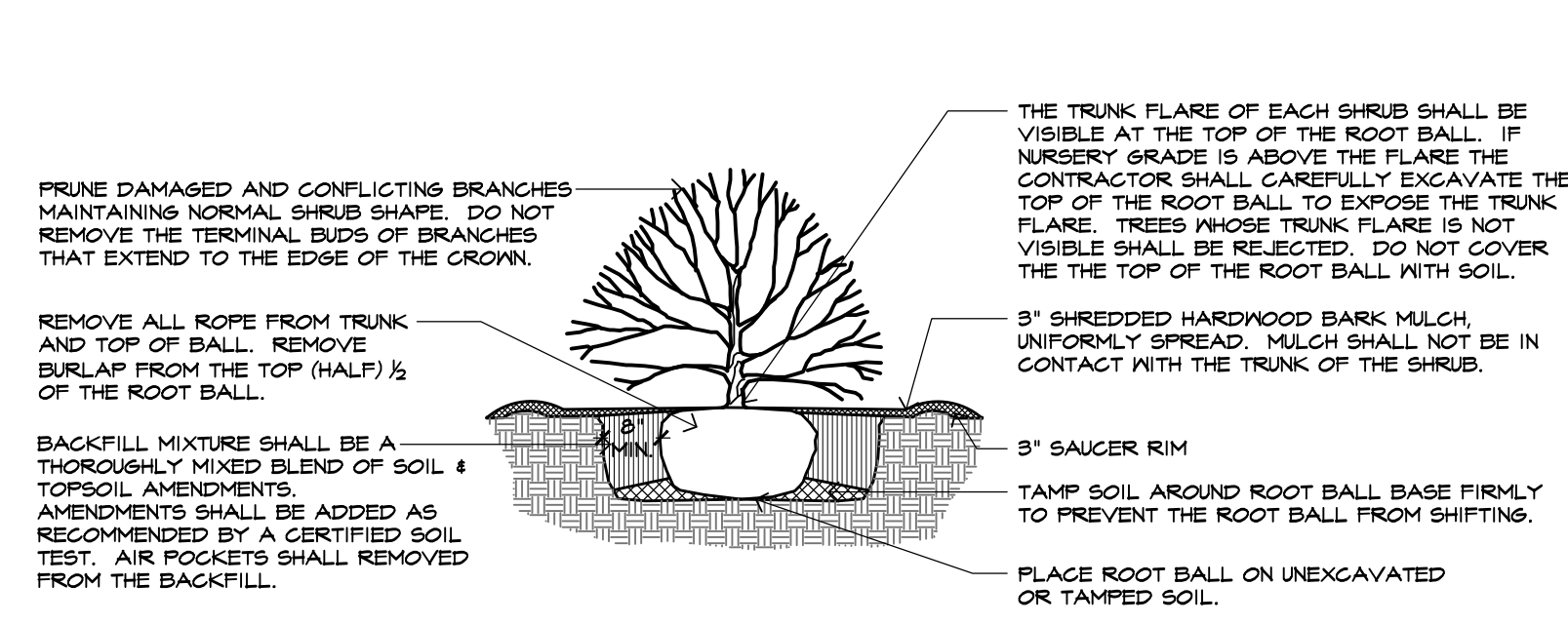
PIRHL Verona
 Verona, New Jersey

MELILLO+BAUER
 ASSOCIATES
 Landscape Architecture
 200 Union Avenue
 Brielle, New Jersey 08730
 T 732.528.0664
 F 732.528.1077

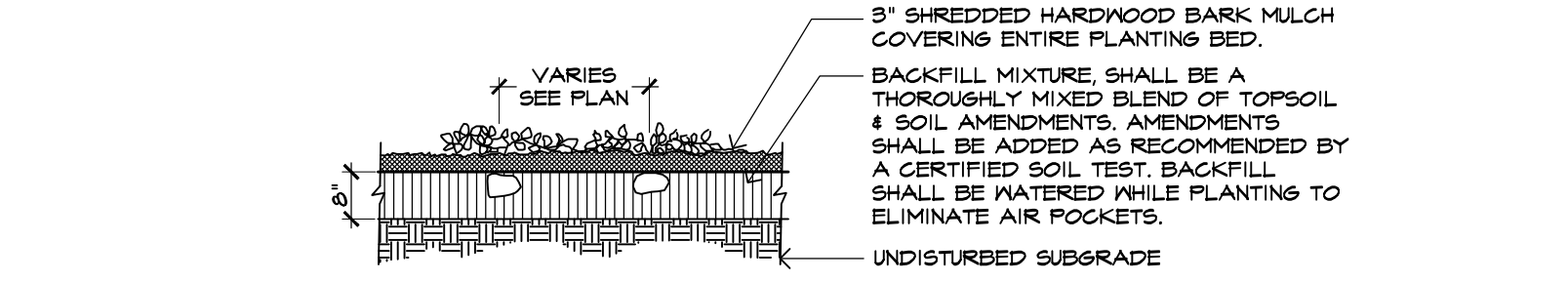
LYNN A. YAHIA
Lynn A. Yahia
 N.J. LICENSED
 LANDSCAPE ARCHITECT
 #21A50059100

| | | |
|-----------------|----------------|----------|
| NO. | DATE | REVISION |
| | | |
| SCALE: AS SHOWN | | |
| DATE: 7/15/2020 | JOB NO: 20-107 | |

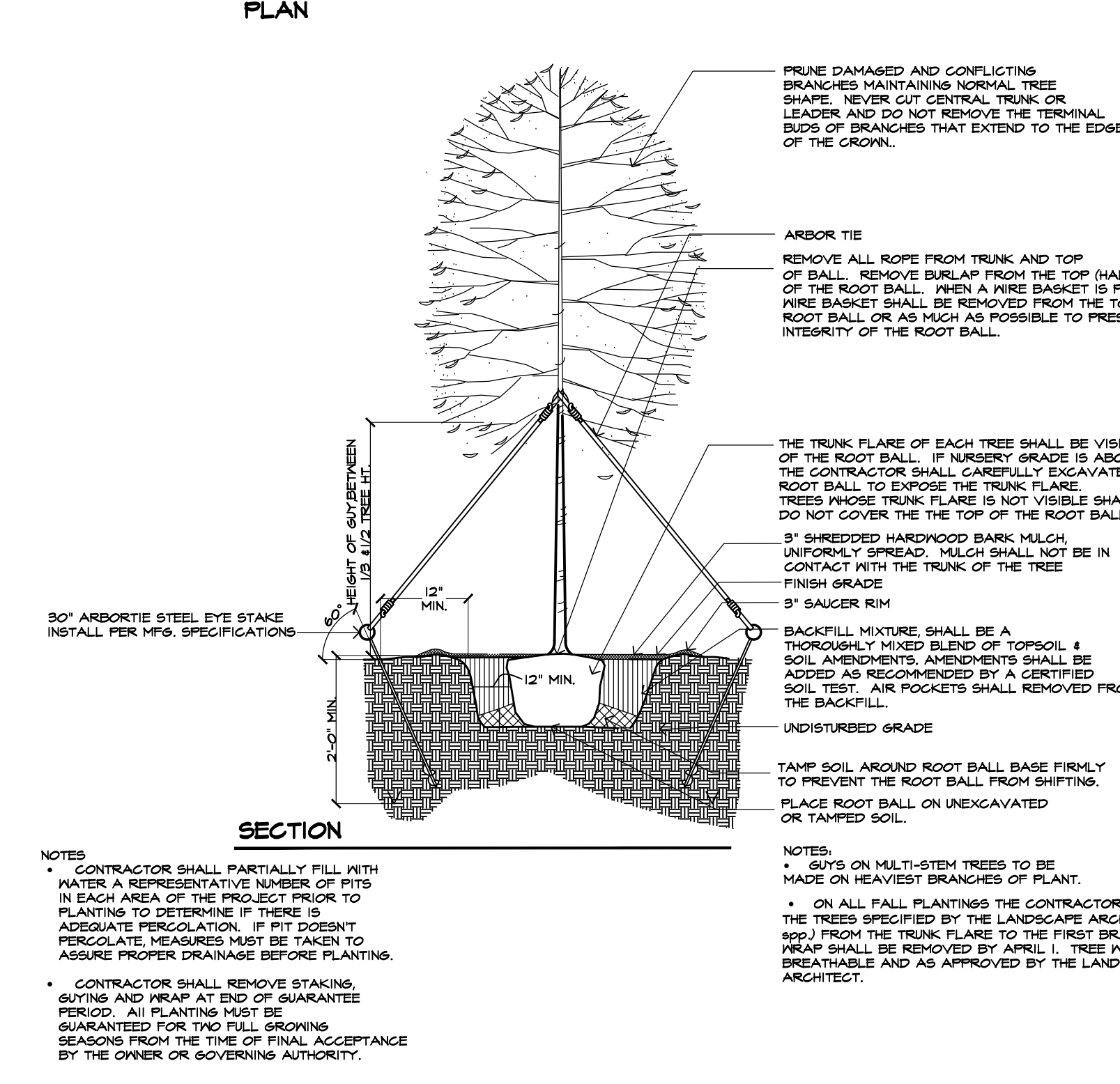
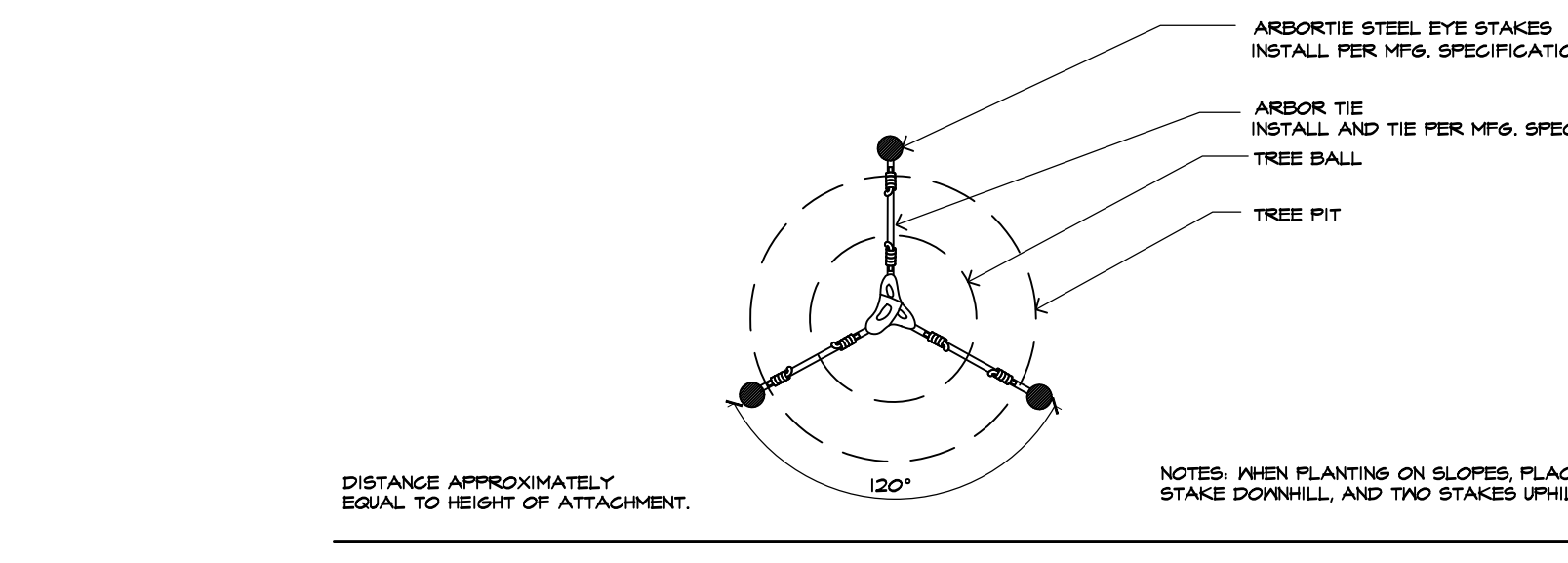
DRAWING NO.
 L-2



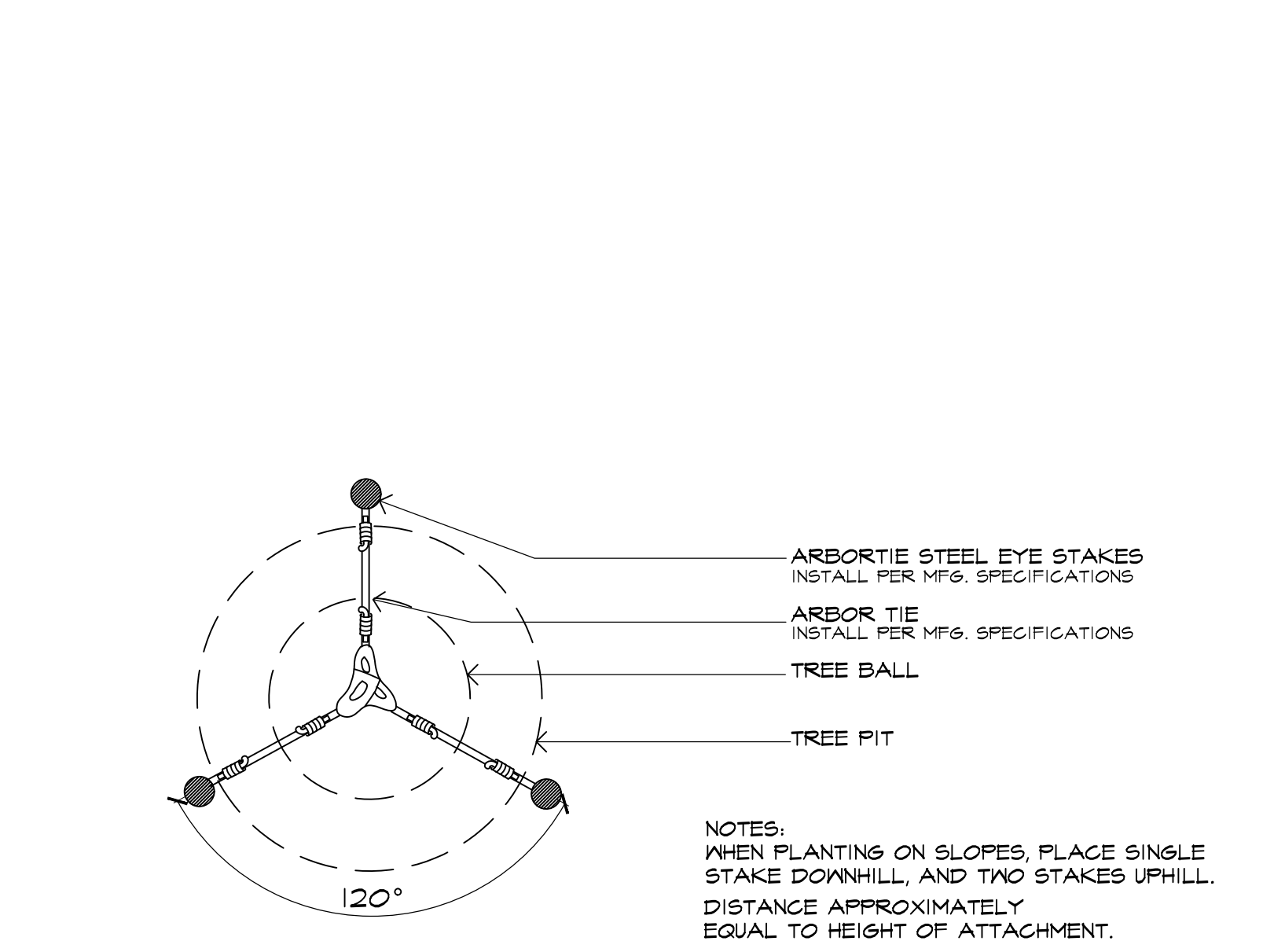
1 DETAIL: SHRUB PLANTING N.T.S.



2 DETAIL: PERENNIAL/GROUNDCOVER PLANTING N.T.S.



3 DETAIL: DECIDUOUS TREE PLANTING N.T.S.



4 DETAIL: EVERGREEN TREE PLANTING N.T.S.

BASIN BOTTOM MIX COMPOSITION:
 1% ASCLEPIAS INCARNATA
 4% GALAMAGROSTIS CANADENSIS
 25% CAREX CRINITA
 15% ELYMUS VIRGINICUS
 8% GYGIS STRIATA
 7% HELENIUM AUTUMNALE
 1% HIBISCUS MOSCHEutos
 14% JUNCUS EFFRUSUS
 1% KOSTELETZKYA VIRGINICA
 8% LOBELIA SIPHILITICA
 5% MOLLIS RINGENS
 5% SCHEENOPLECTUS ATROVIRENS
 2% SCIRPUS CYPERINUS
 1% VERONICA HASTATA
 2% VERONICA ALTERNIFOLIA
 1% VERONICA NOVEBORACENSIS
 2% VERONICASTRUM VIRGINICUM

RECOMMENDED SEEDING PERIOD: FALL
 SEED RATE: 10 LBS/ACRE
 MAINTENANCE MOWING: ANNUALLY IN DECEMBER
 AS SUPPLIED BY PINELANDS NURSERY & SUPPLY, 323 ISLAND ROAD COLUMBUS, NJ 08022, 609-291-9486.
 IF BASIN BOTTOM MIX AREAS DO NOT THRIVE WITHIN 2 YEARS AN ALTERNATIVE GROUND COVER PLANTING WILL BE PROVIDED.

BASIN SLOPE MIX COMPOSITION:
 8% ANDROPOGON GERARDII
 1% ASCLEPIAS STRIATA
 0.5% CHAMAECRISTA FASCICULATA
 1% COROPHIS LANCEOLATA
 4% ECHINACEA PURPUREA
 10% ELYMUS VIRGINICUS
 15% CONOCLINIUM COELESTINUM
 2% EUPATORIUM PURPUREUM
 2% EUTHAMIA GRAMINIFOLIA
 8% HELIOPSIS HELIANTHOIDES
 8% MONARDA FISTULOSA
 10% PANICUM VIRGATUM
 2% PENSTEMON HIRSUTUS
 1% RUDBECKIA HIRTA
 13% SCHIZACHYRIUM SCOPARIUM
 6% SORGHASTRUM NUTANS
 2% SYMPHYOTRICHUM OBLONGIFOLIUM
 3% TRIDENS FLAVUS

RECOMMENDED SEEDING PERIOD: FALL
 SEED RATE: 14 LBS/ACRE
 MAINTENANCE MOWING: ANNUALLY IN DECEMBER
 AS SUPPLIED BY PINELANDS NURSERY & SUPPLY, 323 ISLAND ROAD COLUMBUS, NJ 08022, 609-291-9486.

5 BASIN BOTTOM MIX & BASIN SLOPE MIX N.T.S.

RAIN GARDEN MIX COMPOSITION:
 1% ASCLEPIAS INCARNATA
 4% ASCLEPIAS STRIATA
 5% GALAMAGROSTIS CANADENSIS
 3% CAREX CRINITA
 8% ECHINACEA PURPUREA
 8% ELYMUS VIRGINICUS
 5% CONOCLINIUM COELESTINUM
 3% HELENIUM AUTUMNALE
 10% HELIOPSIS HELIANTHOIDES
 1% KOSTELETZKYA VIRGINICA
 1% LOBELIA CARDINALIS
 7% LOBELIA SIPHILITICA
 10% PANICUM VIRGATUM
 9% SOLIDAGO JUNCEA
 3% SYMPHYOTRICHUM LAEVE
 1% TRADESCANTIA CHIENSIS
 4% VERONICA HASTATA
 2% VERONICA NOVEBORACENSIS
 2% ZIZIA AUREA

RECOMMENDED SEEDING PERIOD: FALL
 SEED RATE: 12 LBS/ACRE
 MAINTENANCE MOWING: ANNUALLY IN DECEMBER
 AS SUPPLIED BY PINELANDS NURSERY & SUPPLY, 323 ISLAND ROAD COLUMBUS, NJ 08022, 609-291-9486.
 IF BASIN BOTTOM MIX AREAS DO NOT THRIVE WITHIN 2 YEARS AN ALTERNATIVE GROUND COVER PLANTING WILL BE PROVIDED.

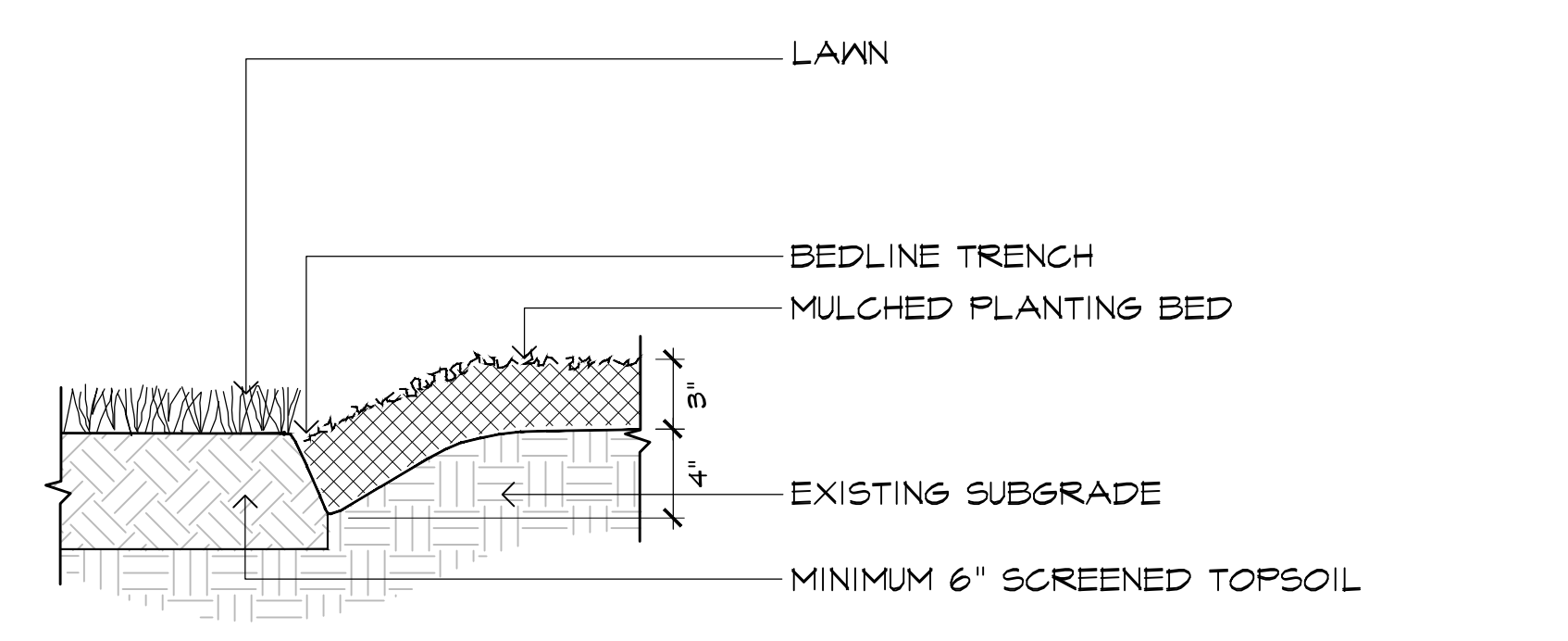
6 RAIN GARDEN MIX N.T.S.

FESCUE SEED MIX
 AS MANUFACTURED BY:
 EAST COAST SOD AND SEED INC.
 546 POINTERS AUBURN ROAD
 PILESGROVE, NJ 08088
 PHONE: (856) 764-8555

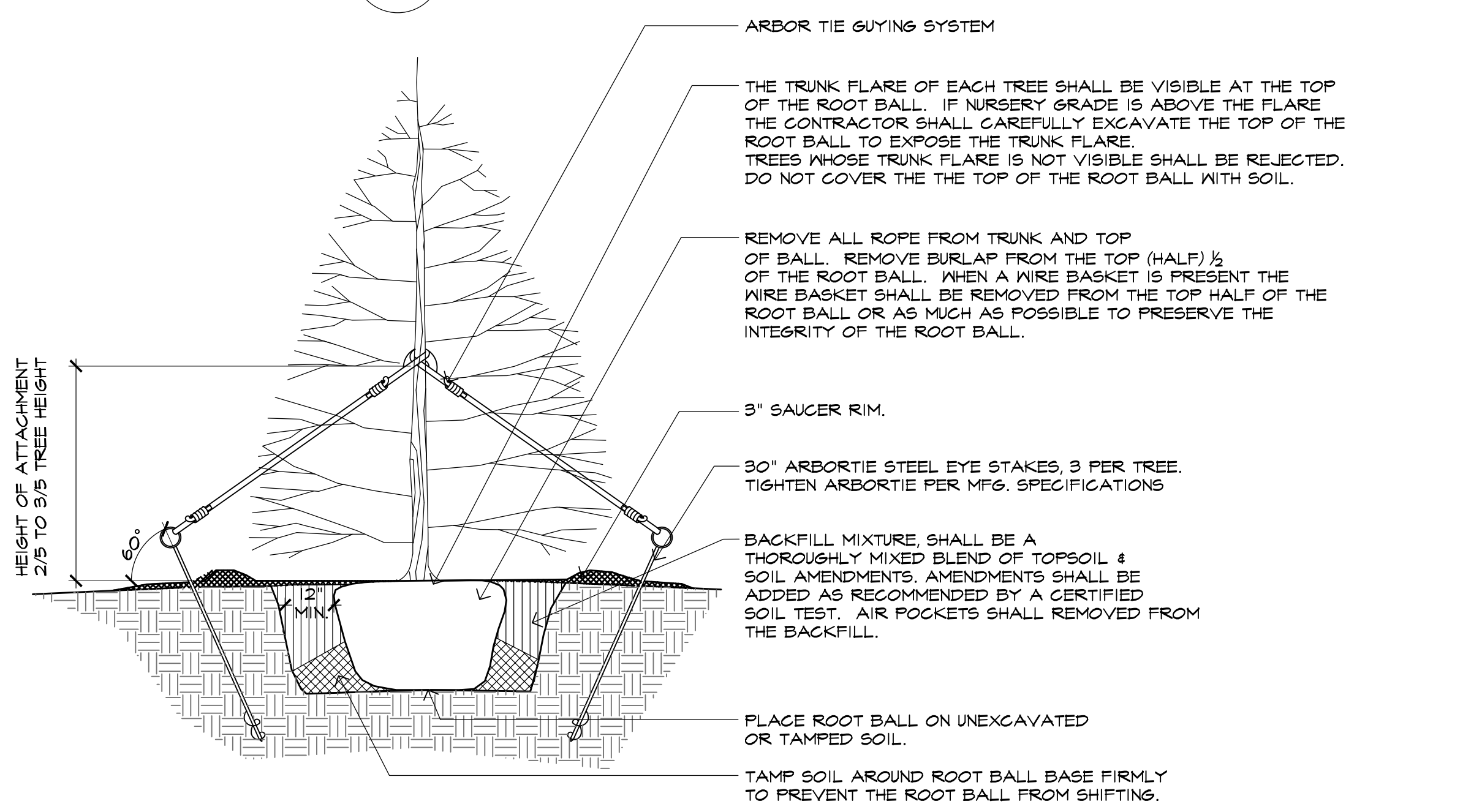
MIX COMPOSITION:
 34.0% Festuca ovina (Hard Fescue)
 33.0% Festuca rubra (Creeping Red Fescue)
 33.0% Festuca rubra ssp. commutata (Cheewings Fescue)

NOTE:
 EAST COAST SOD SEED TO BE APPLIED WITH HYDROSEEDER AT RATES PER MANUFACTURER

7 FESCUE SEED MIX N.T.S.



8 MULCH BEDLINE N.T.S.



9 MULCH BEDLINE WITH ARBOR TIE GUYING N.T.S.

NOTES:
 CONTRACTOR SHALL PARTIALLY FILL WITH WATER A REPRESENTATIVE NUMBER OF PITS IN EACH AREA OF THE PROJECT PRIOR TO PLANTING TO DETERMINE IF THERE IS ADEQUATE PERCOLATION. IF PIT DOESN'T PERCOLATE, MEASURES MUST BE TAKEN TO ASSURE PROPER DRAINAGE BEFORE PLANTING.
 CONTRACTOR SHALL REMOVE STAKING, GUYING AND WRAP AT THE END OF THE GUARANTEE PERIOD. ALL PLANTING MUST BE GUARANTEED FOR TWO FULL GROWING SEASONS FROM THE TIME OF FINAL ACCEPTANCE BY THE OWNER OR GOVERNING AUTHORITY.

4 DETAIL: EVERGREEN TREE PLANTING N.T.S.

PLANT NOTES:

- THE CONTRACTOR SHALL FURNISH QUANTITIES NECESSARY TO COMPLETE THE PLANTING AS SHOWN ON THE PLANTING PLANS.
 - ALL PLANTS SHALL EQUAL OR EXCEED MEASUREMENTS SPECIFIED IN THE PLANT LIST WHICH ARE THE MINIMUM ACCEPTABLE.
 - PLANTS SHALL BE MEASURED BEFORE PRUNING. NECESSARY PRUNING SHALL BE PERFORMED AFTER THE PLANT IS UNLIED AND PRIOR TO INSTALLATION. LANDSCAPE ARCHITECT SHALL BE NOTIFIED OF ANY MAJOR PRUNING REQUIREMENTS DUE TO DAMAGE. THE LANDSCAPE ARCHITECT RESERVES THE RIGHT TO REJECT ANY PLANT MATERIAL THAT NEEDS SIGNIFICANT PRUNING DUE TO DAMAGE FROM SHIPMENT OR HANDLING.
 - WHEN FORMAL ARRANGEMENTS OR CONSECUTIVE ORDER OF TREES OR SHRUBS IS SHOWN, STOCK SHALL BE SELECTED FOR UNIFORM HEIGHT AND SPREAD AND LABELED BY NUMBER TO ASSURE SYMMETRY IN PLANTING.
- WHEN ALL PLANT MATERIAL HAS BEEN SELECTED AND PRE-TAGGED BY THE LANDSCAPE CONTRACTOR, THE LANDSCAPE ARCHITECT SHALL BE NOTIFIED IN ORDER TO SCHEDULE HIS NURSERY INSPECTION WITH A MINIMUM OF 3 DAYS ADVANCE NOTICE.
 - THE CONTRACTOR SHALL ACCOMPANY THE LANDSCAPE ARCHITECT ON ALL INSPECTIONS.
 - THE CONTRACTOR SHALL HAVE SUFFICIENT ALTERNATE CHOICES TO PREVENT LOSS OF TIME IN THE EVENT THAT SOME TREES FAIL TO MEET THE APPROVAL OF THE LANDSCAPE ARCHITECT.
 - ALL TREES MUST BE APPROVED IN THE FIELD BY THE LANDSCAPE ARCHITECT BEFORE DIGGING BEGINS.
- LOCATIONS OF PLANT MATERIAL SHOWN ON PLANS ARE APPROXIMATE. FINAL LOCATIONS WILL VARY FROM PLAN AND SHALL BE DETERMINED IN THE FIELD UNDER THE DIRECTION OF THE LANDSCAPE ARCHITECT.
- CONTRACTOR SHALL PROVIDE PRE-MARKED, COLOR-CODED FLAGS FOR ALL SHADE TREES, EVERGREEN TREES, AND FLOWERING TREES.
 - LANDSCAPE ARCHITECT SHALL PLACE THE COLOR-CODED FLAGS TO INDICATE PLANT LOCATIONS.
 - CONTRACTOR SHALL PLACE TREES ABOVE GROUND IN ACCORDANCE WITH THE FLAGGED LOCATION. THE LANDSCAPE ARCHITECT MAY REQUEST THE CONTRACTOR TO MOVE, TURN OR RELOCATE THE PLANT MATERIAL AT THIS TIME. UNDER NO CIRCUMSTANCES SHALL THE CONTRACTOR PRE-DIG TREE PITS.
 - UPON FINAL APPROVAL BY THE LANDSCAPE ARCHITECT OF TREE PLACEMENT, CONTRACTOR SHALL PAINT A CIRCLE AROUND THE BALL OF THE TREE, MOVE TREE AND EXCAVATE TREE PIT.
 - PLANTS SHALL BE TYPICAL OF THEIR SPECIES AND VARIETY, HAVE NORMAL GROWTH HABITS, WELL DEVELOPED BRANCHES, DENSELY FOLIATED, VIGOROUS ROOT SYSTEMS, BE FREE FROM DEFECTS AND INJURIES AND COMPLY WITH ANY SPECIAL INSTRUCTIONS NOTED WITHIN THE PLANT LIST.
 - PLANT MATERIAL SHALL BE PLANTED ON THE DAY OF DELIVERY. IN THE EVENT THIS IS NOT POSSIBLE, THE CONTRACTOR SHALL PROTECT PLANT STOCK WHICH HAS NOT BEEN PLANTED. PLANTS SHALL NOT REMAIN UNPLANTED FOR LONGER THAN A THREE DAY PERIOD AFTER DELIVERY.
 - QUALITY BRANCHING AND SIZE OF PLANTS, INCLUDING ROOT SIZE, SHALL BE IN ACCORDANCE WITH 'AMERICAN STANDARDS FOR NURSERY STOCK' ANSI Z60.1-2004 (MOST RECENT EDITION) AS PUBLISHED BY THE AMERICAN NURSERY AND LANDSCAPE ASSOCIATION.
 - BIB PLANTS SHALL BE HANDLED FROM THE BOTTOM OF THE ROOT BALL ONLY. PLANTS WITH BROKEN, SPLIT OR DAMAGED ROOT BALLS SHALL BE REJECTED.
 - ALL PLANTING BEDS SHALL BE MULCHED TO A DEPTH OF 3-4 INCHES WITH SHREDDED HARDWOOD BARK MULCH. MULCH SHOULD NOT COME INTO CONTACT WITH THE ROOT COLLAR OF TREES OR SHRUBS. THE TOP OF THE ROOT BALL FOR ALL BIB PLANTS SHALL BE EXCAVATED TO EXPOSE THE ROOT FLARE. THE ROOT FLARE SHALL BE AT THE TOP OF THE BALL AND PLANTED LEVEL OR 1" ABOVE FINISHED GRADE. ALL BEDLINES SHALL BE CUT FOUR INCHES DEEP INTO A 'V' SHAPED GROOVE TO PROVIDE A WELL DEFINED EDGE. THE LAYOUT OF ALL BEDLINES SHALL BE APPROVED BY THE LANDSCAPE ARCHITECT ON-SITE PRIOR TO CUTTING.
 - THE CONTRACTOR SHALL BE RESPONSIBLE FOR ALL UTILITY MARK OUTS AND COMPLIANCE WITH ALL FEDERAL, STATE OR LOCAL CODES, LAWS, ORDERS OR REGULATIONS GOVERNING UPON THIS WORK.
 - THE CONTRACTOR SHALL BE RESPONSIBLE FOR THE PROPER INSTALLATION AND MAINTENANCE OF ALL TREE GUY, STAKES, SUPPORTS AND MULCH RINGS OR BEDS DURING THE CONSTRUCTION AND MAINTENANCE PERIOD.
 - THE CONTRACTOR SHALL REPORT ANY SOIL OR DRAINAGE CONDITIONS CONSIDERED DETRIMENTAL TO THE GROWTH OF THE PROPOSED PLANT MATERIAL. TREES SHALL BE TRIMMED OF ANY BRANCHES THAT INTERFERE WITH PEDESTRIANS, VEHICLES OR SIGNS. SHADE TREES MUST BE SINGLE TRUNK, TREE FORM SPECIMENS. ALL PARKING LOT AND STREET TREES SHALL BE LIMBED TO A HEIGHT OF SEVEN FEET.
 - ANY DISCREPANCY BETWEEN THE PLANS AND FIELD CONDITIONS SHALL BE RESOLVED BY THE LANDSCAPE ARCHITECT IN THE FIELD.
 - ALL PLANTED AREAS & LAWN AREAS SHALL BE IRRIGATED WITH AN AUTOMATIC IRRIGATION SYSTEM THROUGH THE USE OF SURFACE OR DRIP-IRRIGATION TO PROVIDE ADEQUATE WATER TO PROMOTE HEALTHY PLANT MATERIAL AND SOUND HORTICULTURAL PRACTICE. IRRIGATION CONTRACTOR SHALL SUBMIT PROPOSED IRRIGATION PLANS TO LANDSCAPE ARCHITECT FOR REVIEW AND APPROVAL PRIOR TO INSTALLATION.
 - PLANTING OPERATIONS SHALL BE PERFORMED DURING PERIODS WITHIN THE PLANTING SEASON WHEN WEATHER AND SOIL CONDITIONS ARE SUITABLE AND IN ACCORDANCE WITH ACCEPTABLE LOCAL PRACTICE. TREES AND SHRUBS SHOULD BE INSTALLED DURING THE FOLLOWING FALL AND SPRING SEASONS, WITH THE EXCEPTION OF TREES WHICH EXPERIENCE A FALL DIGGING HAZARD WHICH SHOULD ONLY BE PLANTED IN THE SPRING.
 - ALL PLANT MATERIAL SHALL BE GUARANTEED FOR A MINIMUM PERIOD OF AT LEAST TWO (2) YEARS FROM THE DATE OF LANDSCAPE INSPECTION FOR APPROVAL AND ANY PLANT MATERIAL THAT DOES NOT SURVIVE WITHIN THAT TIME PERIOD OR IS IN POOR CONDITION BASED UPON THE OPINION OF THE TOWNSHIP LANDSCAPE ARCHITECT SHALL BE REPLACED BY PLANT MATERIAL OF THE SAME SIZE AND SPECIES AT THE EXPENSE OF THE DEVELOPER.

| FALL | AUG. 15-DEC. 15 | EVERGREEN TREES |
|--------|-----------------|-----------------|
| SPRING | MAR. 15-MAY 15 | ALL PLANTS |

| FALL DIGGING HAZARD | ILEX OPACA VARIETIES | PRUNUS-ALL STONE FRUITS |
|--------------------------|---|-------------------------|
| BETULA VARIETIES | ALL TREEFORM VARIETIES <td>PYRUS VARIETIES</td> | PYRUS VARIETIES |
| CARPINUS VARIETIES | EVERGREEN ILEX VARIETIES | QUERCUS-ALL OAKS |
| CERTIS VARIETIES | LIQUIDAMBAR VARIETIES | EXCEPT Q. PALUSTRIS |
| CERCIDIPHYLLUM VARIETIES | LIRIODENDRON TULIPIFERA | SALIX-KEEPING VARIETIES |
| CRATAEGUS VARIETIES | MALUS-IN LEAF | TILLA TOMENTOSA |
| FAGUS VARIETIES | NYSSA SYLVATICA | VARIETIES |
| HALESIA VARIETIES | OSTRYA VARIETIES | ZELKOVA VARIETIES |